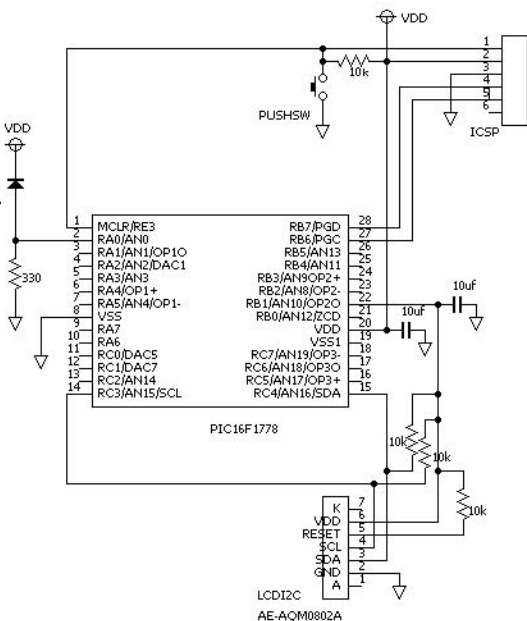


VDD
S13948-01SB



フォトダイオード照度計
S13948-01SB
PIC16F1778 & LCD_12C

2021/11/10 by Takehiko Inoue